

Canalta

Flow Measurement

Manifolds, Stabilizers & Accessories



Call Us Toll Free: 1-855-CANALTA
An ISO 9001:2015 registered company

Phone: 403.342.4494
Email: sales@canaltaflow.com
www.canaltaflow.com

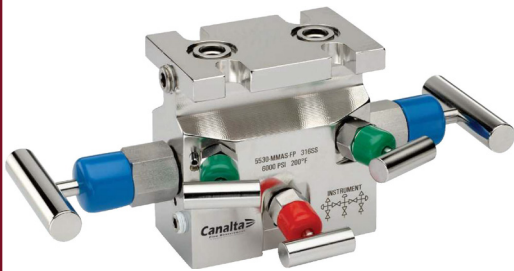
Canalta Controls Manifold Valves

Canalta Controls manifold valves are designed with exceptional performance and increased pressure capabilities in soft seat/tip designs with industry leading pressure ratings up to 6000 PSI @ 200° F.

Designed for use with differential transmitters incorporating two isolation valves, two equalizing valves and a vent valve for natural gas applications. Being certified, our valves will meet ROHS and other industrial qualifications.

Designed to prevent blowouts and leaks, the valves have undergone rigorous testing for guaranteed performance and reliability. You can trust the design ensuring that the operator will be safe in the harshest conditions.

NOTE: All Canalta valve products conform to the MSS SP-99 instrument valves standards, and valves supplied with packing also conform to MSS SP-132 compression packing systems for instrument valves standard.



Exceptional Safety and the **Ultimate**
in **Performance** in **One Valve**

Warranty

Canalta Controls Three Year Warranty applies to all needle and manifold valves. Canalta guarantees all products to be free from defects in material and workmanship, to remain within catalogued accuracy specifications, and to operate within the catalogued performance specifications. These products must be operated within the catalogued environmental and application parameters. Determination of failure will be made by Canalta equipment and personnel or a certified test facility specializing in this type of evaluation.



WARNING: This product can expose you to chemicals including lead, which is known to the State of California to cause cancer and birth defects or other reproductive harm. For more information go to www.P65Warnings.ca.gov



WARNING: This product can expose you to chemicals including chromium (VI) and nickel, which are known to the State of California to cause cancer and birth defects or other reproductive harm. For more information go to www.P65Warnings.ca.gov

Call Us Toll Free: 1-855-CANALTA

Manifold Valves - 5 Valve



Flare Pattern™

- HNBR o-ring seal and PTFE back-up ring
- Flare Pattern valve configuration provides maximum clearance
- 100% helium leak tested to 1×10^{-4} ml/s for performance and reliability

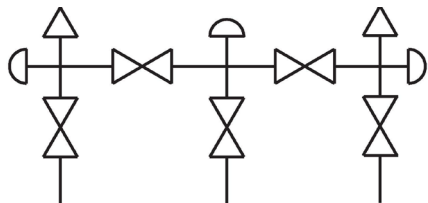
SPECIFICATIONS

Materials	Zinc-Nickel plated Steel, electropolished 316 Stainless Steel*
Connections	Flange-flange 1/2" NPT-flange 1/2" NPT-1/2" NPT Flange-flange 90° angle
Pressure ratings	6,000 psi @ 200 °F
Orifice size	0.375"
Flow coefficient	C_v 3.0
Stem seal & type	All 316 Stainless Steel stems with HNBR o-ring and PTFE back-up ring below the threads
Additional features	Two static (test) ports, color coded vinyl bonnet and stem dust cap, patented soft tip stem design on equalizing and vent valves
Weight	Approximately 5.8 lb. without flange Approximately 7.5 lb. with flange 90° Angle version approximately 9.4 lb.

- Designed for use with differential pressure flow computers and transmitters incorporating two isolation valves, two equalizing valves and a vent valve in natural gas applications
- Flare Pattern valve configuration provides maximum clearance for fingers during operation
- Soft tip valves feature a patented Delrin® non-rotating soft tip stem, and a back-up metal-to-metal seal
- Non-rotating stem tip standard on large bore isolation valves
- Available in block, single flange, or double flange connection for remote or direct installation
- 100% helium leak tested to 1×10^{-4} ml/s for performance and reliability
- Features a replaceable Delrin® seat, and straight through porting for bidirectional, high capacity flow and easy roddable cleaning on the block valves
- Blow-out proof stem provides a secondary stem seal in the full open position
- HNBR o-ring seal and PTFE back-up ring below the stem threads to protect from corrosion and galling
- All stem threads are rolled for strength and ease of operation
- One-piece bonnet with a metal-to-metal seal to the valve body below the bonnet threads
- Slotted spring pin to prevent accidental loosening
- Color coded vinyl dust caps for bonnets and stems

* All 316SS products meet the requirements of NACE MR0175/ISO 15156-3.

Flow Schematic



Manifold Valves - 5 Valve - Part Numbers



Ordering Information

1. Pick a product
2. Contact sales@canaltaflow.com to request a quotation
3. Place an Order

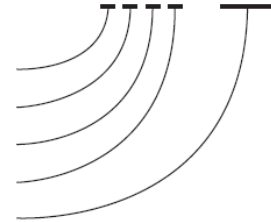
SERIES	5 5-valve		
SEAT	5 Soft seat/tip 0.375" orifice		
PROCESS TYPE	3 Natural gas flow		
CONNECTION	0 1/2" NPT standard or flange		
VALVE TYPES	MFC Flange-Female, Steel	FFS Female-Female, Stainless Steel	MMS Flange-Flange, Stainless Steel
	FFC Female-Female, Steel	MMC Flange-Flange, Steel	MMAS* Flange-Flange 90° Angle, Stainless Steel
	MFS Flange-Female, Stainless Steel	MMAC* Flange-Flange 90° Angle, Steel	

* Only available in Flare Pattern™ configuration.

EXAMPLE

Series.....5-valve
 Seat..... Soft seat/tip
 Process type..... Natural gas flow
 Connection.....1/2" NPT standard
 Valve type.....Flange-flange 90° Angle, Stainless Steel

5 5 3 0 - MMAS



Available Options

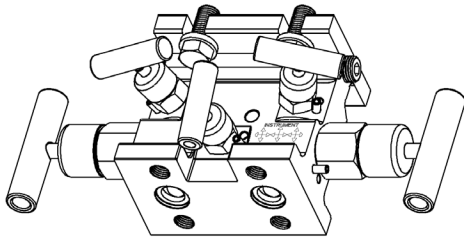
Part Numbers	Description
5530-MMS-FP-HN1-CAN	5 Vlv Manifold, Soft Seat, FxF, 316SS, Flare, 0.375" Bore
5530-MMC-FP-HN1-CAN	5 Vlv Manifold, Soft Seat, FxF, CS, Flare, 0.375" Bore
5530-MFS-FP-HN1-CAN	5 Vlv Manifold, Soft Seat, Fx1/2 NPT, 316SS, Flare, 0.375" Bore
5530-MFC-FP-HN1-CAN	5 Vlv Manifold, Soft Seat, Fx1/2, CS, Flare, 0.375" Bore
5530-MMAC-FP-HN1-CAN	5 Vlv Manifold, Soft Seat, FxF, CS, Flare, 0.375", Angled
5530-MMAS-FP-HN1-CAN	5 Vlv Manifold, Soft Seat, FxF, 316SS, Flare, 0.375" Angled
5530-FFS-FP-HN1-CAN	5 Vlv Manifold, Soft Seat, 1/2 NPT x 1/2 NPT, 316SS, Flare, 0.375" Bore

other configurations available at request - Contact your sales representative for more information

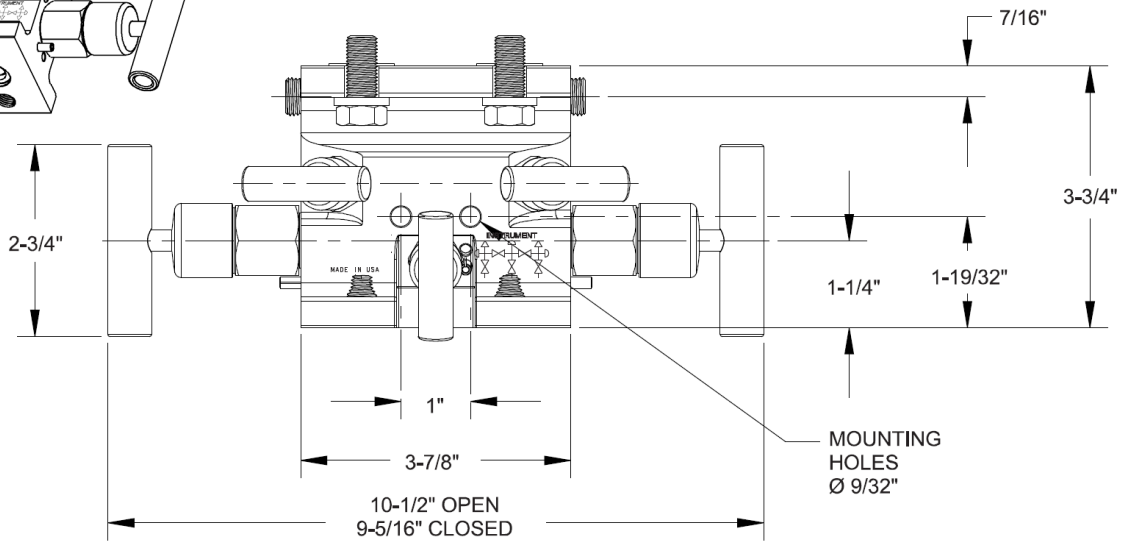
Call Us Toll Free: 1-855-CANALTA

Manifold Valves - 5 Valve - Dimentions

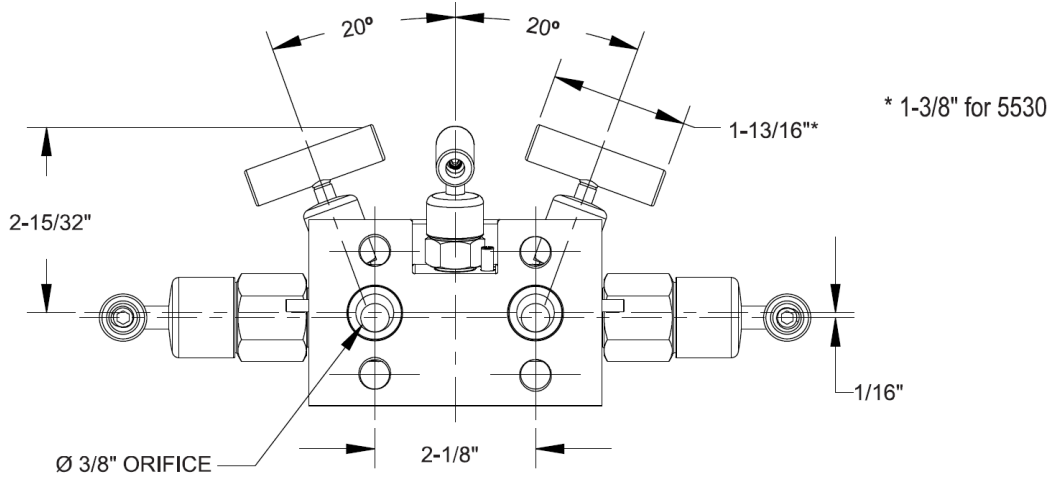
Flare Pattern Flange x Flange



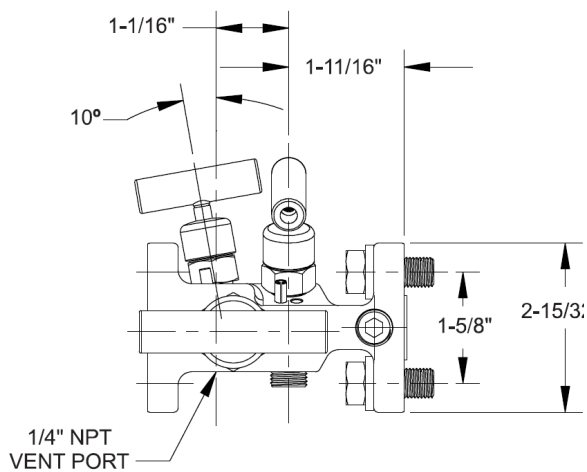
Top View



Front View

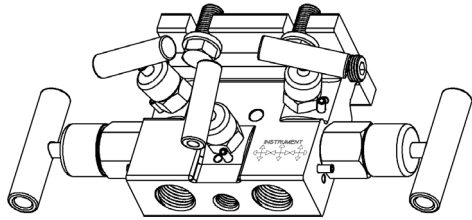


Side View

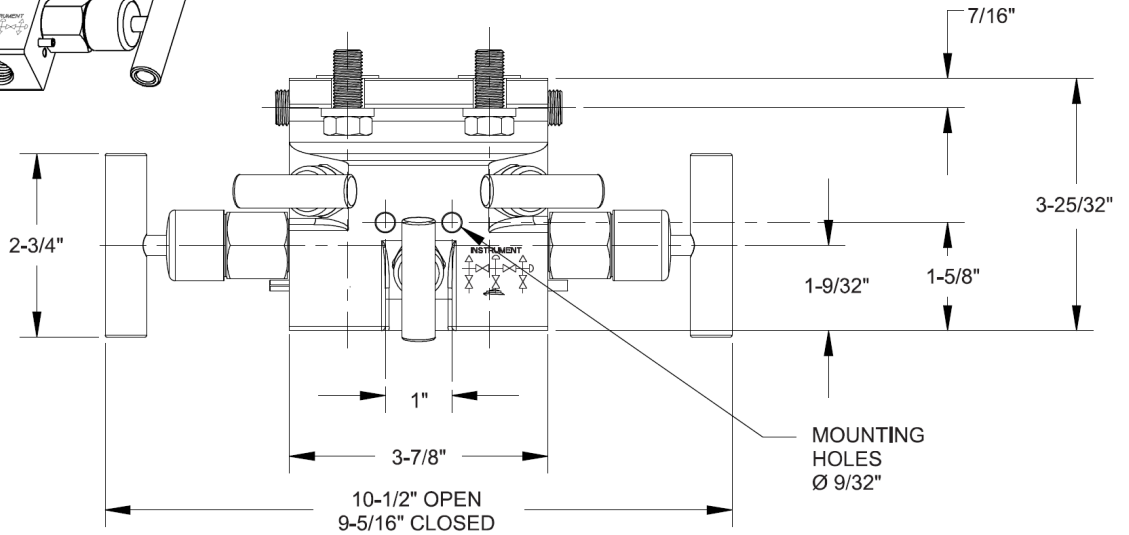


Manifold Valves - 5 Valve - Dimensions

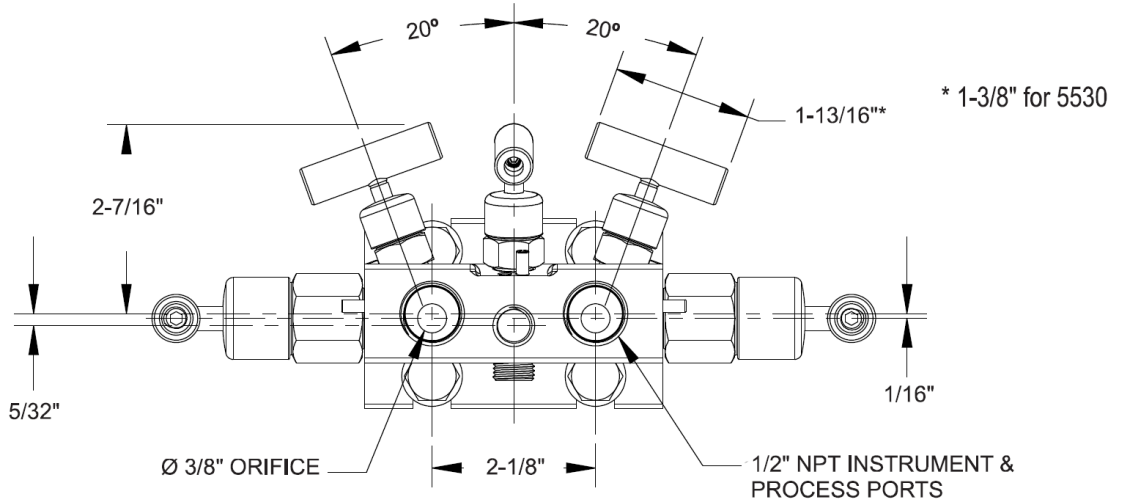
Flare Pattern Flange x Female



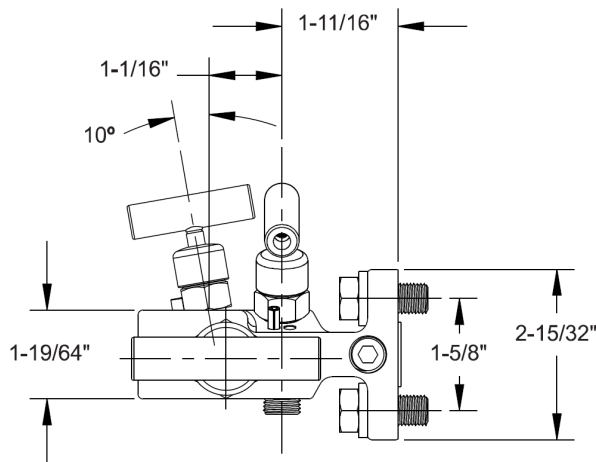
Top View



Front View

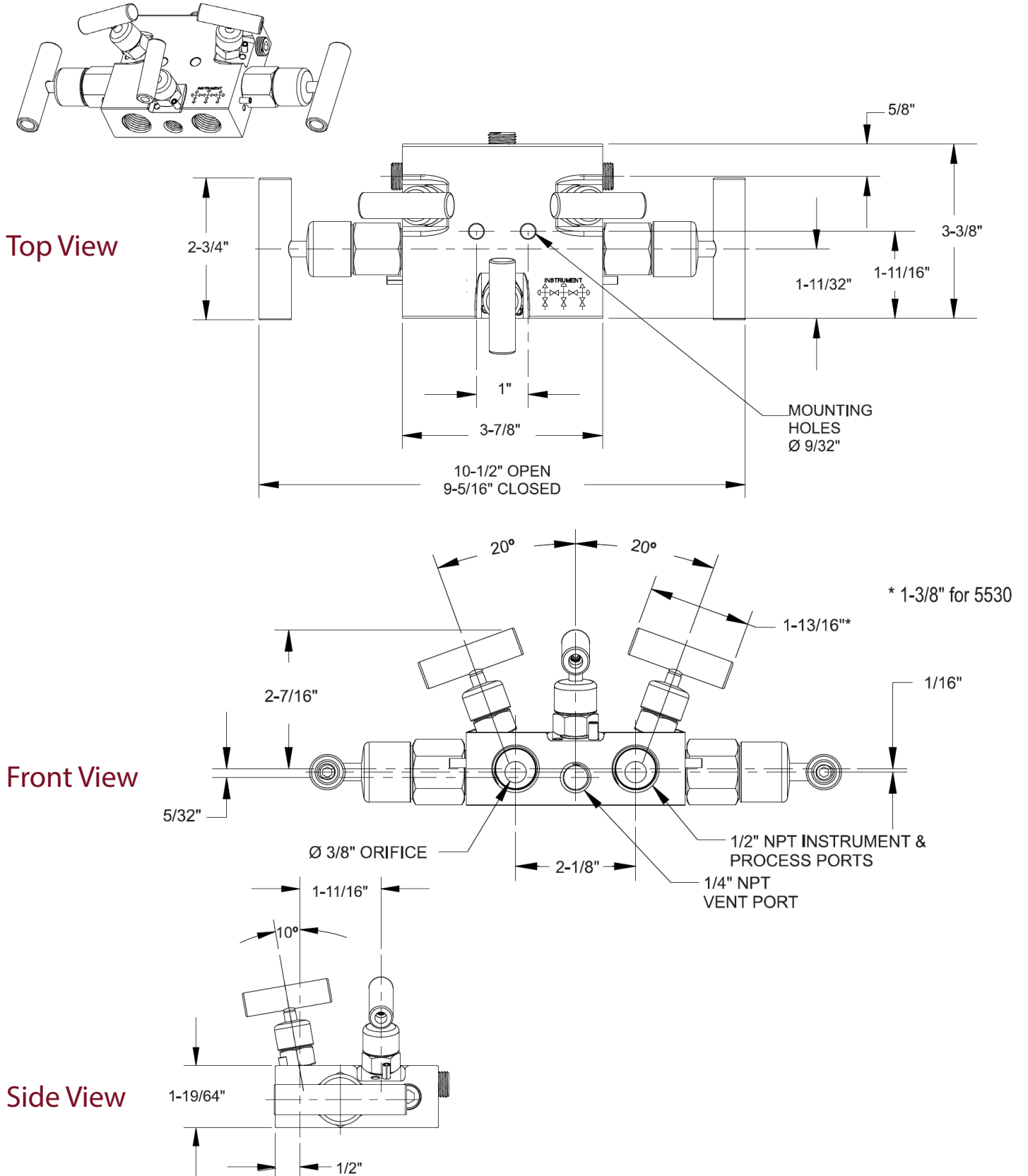


Side View



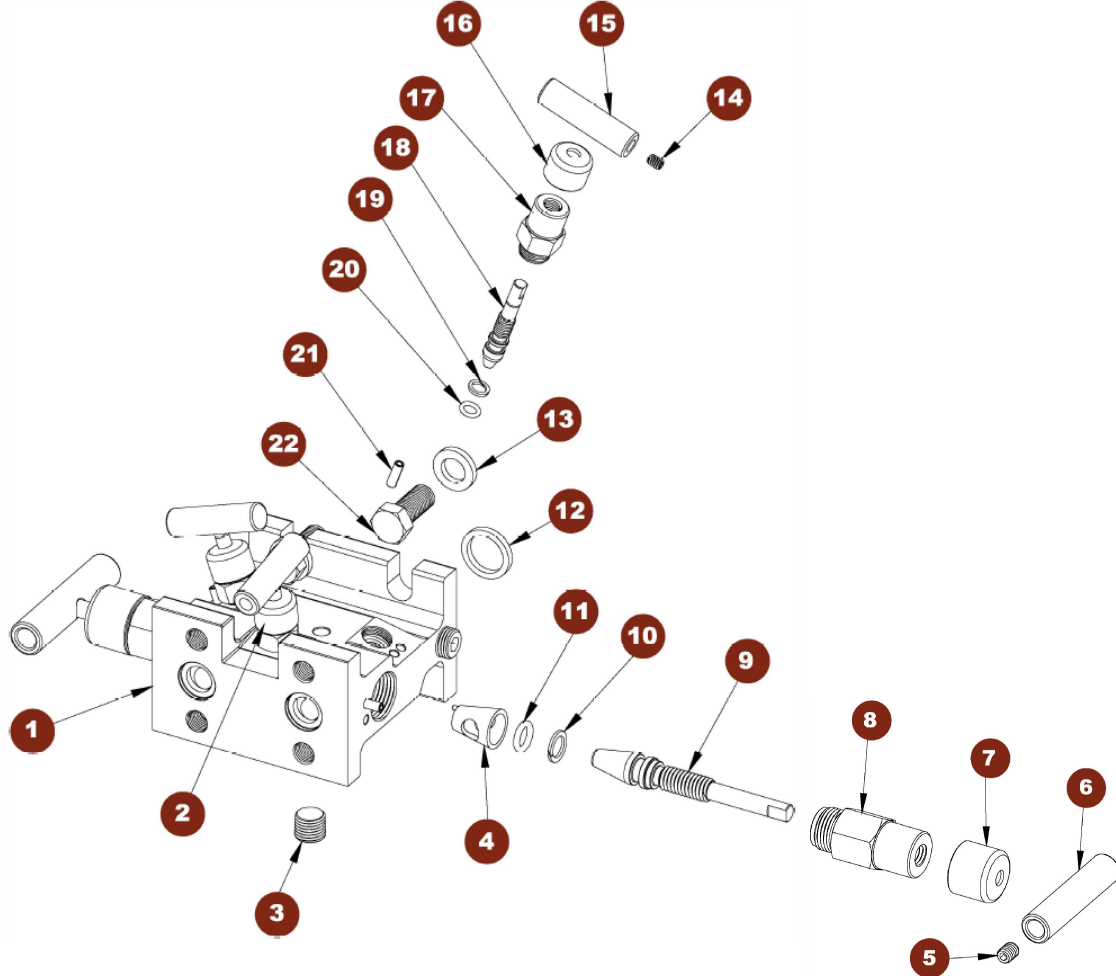
Manifold Valves - 5 Valve - Dimensions

Flare Pattern Female x Female



Manifold Valves - 5 Valve - Dimensions

Exploded BOM



- | | |
|-----------------------------|--------------------------|
| 1 Flare Pattern™ valve body | 12 Gasket ring |
| 2 Red dust cap | 13 Washer |
| 3 Plug | 14 Set screw |
| 4 Delrin® seat | 15 Mini valve "T" handle |
| 5 Set screw | 16 Green dust cap |
| 6 Valve "T" handle | 17 Mini valve bonnet |
| 7 Blue dust cap | 18 Soft tip stem |
| 8 Valve bonnet | 19 PTFE back-up ring |
| 9 Non-rotating stem | 20 HBNR o-ring |
| 10 PTFE back-up ring | 21 Slotted spring pin |
| 11 HNBR o-ring | 22 Head bolt |

Call Us Toll Free: 1-855-CANALTA

Stabilizers - With Integral Block Valve



Shown with flange adaptor
for round installations

- HNBR o-ring seal and PTFE back-up ring
- Blow-out proof stem
- Integral block valve

- Block valve can be installed on either side of stabilized body, allowing 1/2 turn installation
- Slotted bolt holes allow for 2-1/8" and 2-1/4" bolt spacings
- Designed to reinforce the entire installation by shifting radial-stress load away from the NPT connections
- 0.375" bore for unrestricted passage of process gas
- Non-rotating stem tip standard on block valves
- Blow-out proof stem provides a secondary stem seal in the full open position
- Features a replaceable Delrin® seat, and straight through porting for bidirectional, high capacity flow and easy roddable cleaning of the block valves
- Metal body-to-bonnet and body-to-flange plug with secondary o-ring seals
- HNBR o-ring seal and PTFE back-up ring below the stem threads to protect from corrosion and galling
- Includes PTFE gaskets and Carbon Steel bolts for manifold installation
- Optional dielectric barrier creates a non-conductive shield between the instrument and the orifice fitting

SPECIFICATIONS

Materials	Zinc-Nickel plated Carbon Steel, 316 Stainless Steel*
Bolts	Carbon Steel
Connection	1/2" NPT-Flange
Pressure rating	6,000 psi at 200 °F
Orifice	0.375"
Flow coefficient	C _v 3.0
Stem seal & type	All 316 Stainless Steel stems with HNBR o-ring and PTFE back-up ring below the threads
Weight	Approximately 10.6 lb. (pair)

* All 316SS products meet the requirements of NACE MR0175/ISO 15156-3.

Stabilizer - With Integral Block Valve - PartNumbers



Ordering Information

1. Pick a product
2. Contact sales@canaltaflow.com to request a quotation
3. Place an Order

SERIES	SV	Stabilized connector with integral block valve	
MATERIALS	C	Steel	S Stainless Steel
CONNECTOR TYPES	2	Stabilized connector pair with integral valve - w/flange adaptors	

Available Options

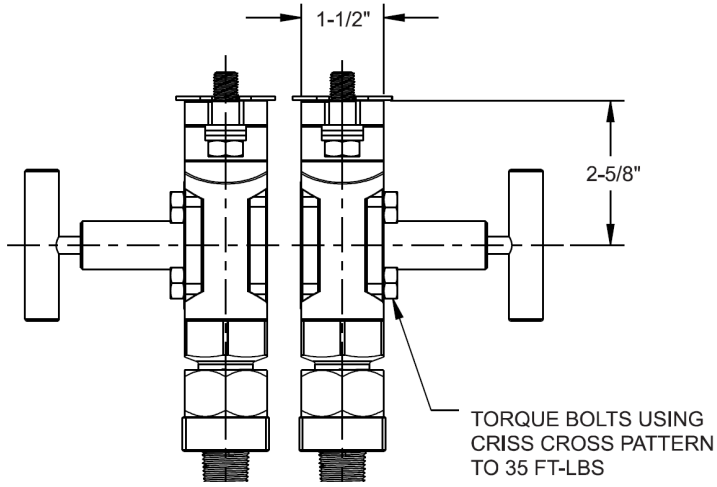
Part Numbers	Description
SVS2-HN1-CAN	Stabilized Connector Valve Pair, 316SS - w/flange adaptors
SVC2-HN1-CAN	Stabilized Connector Valve Pair, CS - w/flange adaptors

Non-Valve stabilizers also available at request - Contact your sales representative for more information

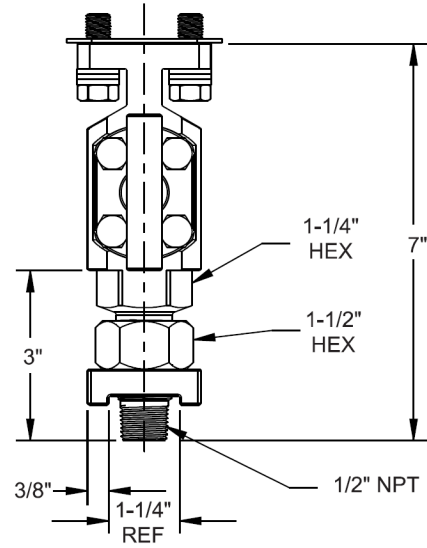
Call Us Toll Free: 1-855-CANALTA

Stabilizers - With Integral Block Valve - Dimensions

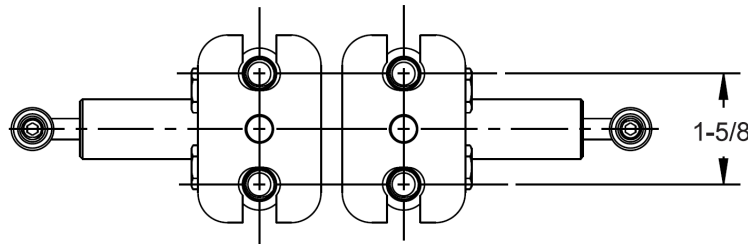
Front View



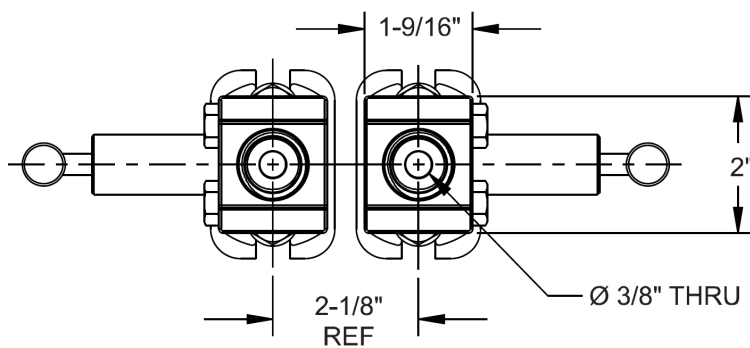
Side View



Top View

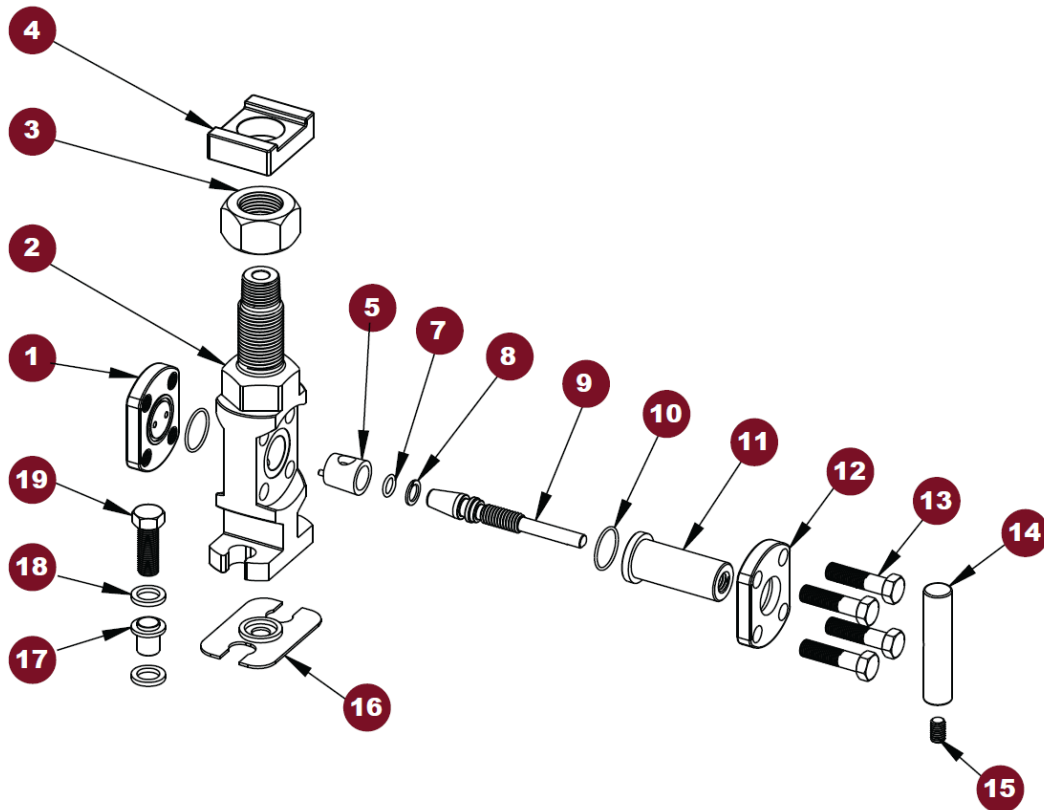


Bottom View



Stabilizers - With Integral Block Valve - Dimensions

Exploded BOM



- | | |
|--|---|
| 1 Flange plug | 11 Valve bonnet |
| 2 Stabilized connector
valve body | 12 Bonnet Flange |
| 3 Hex nut | 13 Bolt (Bonnet) |
| 4 Optional Flange adaptor
for round installations | 14 Valve "T" handle |
| 5 Acetal soft seat, white | 15 Set screw |
| 7 HNBR o-ring | 16 Optional Acetal
dielectric gasket |
| 8 PTFE back-up ring | 17 Optional Acetal bushing |
| 9 Valve stem | 18 Washer |
| 10 HNBR o-ring | 19 Bolt (Stabilizer) |

Call Us Toll Free: 1-855-CANALTA

Accessories

DK1 Dielectric Kits



- Single piece design combining an Delrin sealing gasket and Delrin dielectric shim
- Bolts, washers and dielectric bushings are included with the kits
- Seal rings or o-rings not required

The dielectric kit is designed to maintain the integrity and reliability of the pipeline and piping system through safety and corrosion protection. Dielectric kits provide a non-conductive barrier between the process piping and the instrument and isolate components from the effects of electrical current. By eliminating metal-to-metal contact, current is halted to prevent corrosion and aid in the cathodic protection of the system.

Specifications

- Material: Delrin PVC
- Max Operation Temp: 150 F
- Dielectric Strength exceeds 1/32 air arc gap approximately 2,500 Vdc.

Part Numbers	Description
DK1-CAN	One Piece Dielectric Gasket, Pair w/ CS Bolts, Canalta



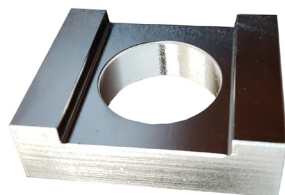
Manifold Teflon Gasket

Teflon o-rings are used as they have high heat resistance, high resistance to chemical agents, dielectric properties and are non-toxic.

Specifications

- Material: PTFE
- Max Operation Temp: -328 F / 482 F

Part Numbers	Description
RG1-TF1	Manifold Teflon Gasket (qty 1 each)



Flange Adaptors

Flange adaptors are used for round installations.

Specifications

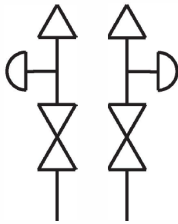
- Material: Carbon & Stainless

Part Numbers	Description
FR1-CS2-ZN1-CAN	Flange Adaptor Carbon Steel (qty 1 each)
FR1-SS1-EP-CAN	Flange Adaptor Stainless Steel (qty 1 each)

Accessories



Flow Schematic



Needle Valves - *Female x Female*

*Contact your sales rep for other configurations

- Compact size
- 100% helium leak tested
- HNBR O-ring seal
- Compact size valve built for maximum durability and robust performance in the toughest applications
- 100% helium leak tested to 1×10^{-4} ml/s for performance and reliability
- Soft tip valves feature a patented Delrin® non-rotating soft tip stem, and a back-up metal-to-metal seal
- Available in Zinc-Nickel plated Steel, electropolished Stainless Steel, and Brass
- HNBR o-ring seal and PTFE back-up ring below the stem threads to protect from corrosion and galling; PTFE packing optional
- All stem threads are rolled for strength and ease of operation
- Patented body-to-bonnet, metal-to-metal seal is designed to significantly increase the pressure range of the valve

SPECIFICATIONS

Materials	Zinc-Nickel plated Steel, electropolished 316 Stainless Steel*, 360 Brass
Connections	1/8" NPT, 1/4" NPT, 7/16"-20 UNF-2B, 9/16"-18 UNF-2B Male-male, Male-female, Female-female, in-line and angled configurations
Pressure rating**	6,000 psi @ 200 °F
Orifice size	0.172"
Flow Coefficient	$C_v 0.42$
Stem seal & type	All 316 Stainless Steel stems with HNBR o-ring and PTFE back-up ring below the threads, PTFE packing optional
Options	Panel mountings, o-ring materials, handles, packings, regulating stem and stem tips
Weight	Approximately 0.5 lb.

* All 316SS products meet the requirements of NACE MR0175/ISO 15156-3.

** This pressure ratings applies to all 150 series Mini Valves except the following which have pressure ratings as shown:

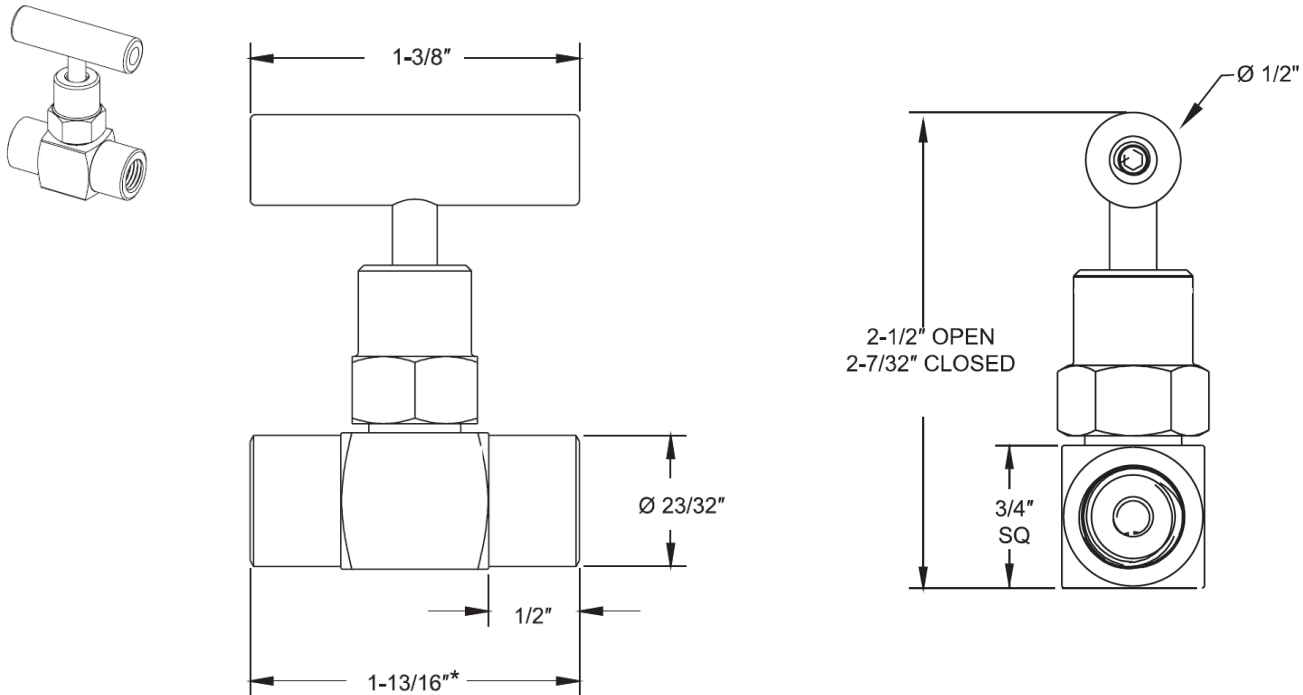
Stainless Steel 9/16"- 18 UNF-2B connection: 5,000 psi @ 200 ° F

Steel 9/16"- 18 UNF-2B connection: 4,000 psi @ 200 ° F

Call Us Toll Free: 1-855-CANALTA

Accessories

Needle Valves - Dimensions



*Dimension on extended version is 2-1/4"



Ordering Information

1. Pick a product
2. Contact sales@canaltaflow.com to request a quotation
3. Place an Order

Available Options

Part Numbers	Description
152-FFS-CAN	1/4" NPT x 1/4" NPT, 316SS, Soft Tip Mini Valve, 0.172" bore
152-FFC-CAN	1/4" NPT x 1/4" NPT, CS, Soft Tip Mini Valve, 0.172" bore

other configurations available at request - Contact your sales representative for more information

ADDITIONAL PRODUCT LINES

Canalta also offers a complete lineup of products to fulfill your orifice metering requirements. Visit us on the web at www.canaltaflow.com, or contact us to request details.

The Canalta Dual Chamber Orifice Fitting

A high quality, high accuracy orifice fitting manufactured in a wide selection of sizes and materials, the Canalta Dual Chamber Orifice Fitting is designed and constructed to allow for orifice plate inspection or replacement under pressure without interruption in the flow line.

Available as fitting only or with complete meter run, 150# - 2500# ANSI ratings, with carbon or stainless steel internals and a variety of connection configurations.



Parts, Accessories & Repair Kits

Parts and repair kits available for Single and Dual Chamber Orifice Fittings, meter runs and flow conditioning solutions.

Our parts and accessories offerings are interchangeable with the current industry standard orifice fitting brand, making Canalta Orifice Fitting internals suitable for re-builds and re-works of our competitors' product lines at substantial cost savings.

CONTACT INFORMATION

Canalta 
Flow Measurement
A Canalta Controls Company



Corporate Head Office / Canada	(+1) 403 342 4494
United States	(+1) 940 898 0800
Argentina	(+54) 9 11 3272 2377
United Kingdom	(+44) 0 1284 715089
India	(+91) 4254 265050

Find a list of our global distribution partners at www.canaltaflow.com/global

Call Us Toll Free: 1-855-CANALTA

The "Canalta Flow Measurement" and "Contour" names and logos are trademarks of Canalta Controls Ltd. All other trademarks are the property of their respective companies. All information presented here is for information purposes only. Though every effort has been made to ensure their accuracy, the contents of this publication shall not be construed as warranties or guarantees, expressed or implied, regarding the products or services described herein, or their use or applicability. Due to Canalta's commitment to quality and innovation, all product designs, specifications and information material, including the contents of this publication, are subject to change without notice. Responsibility for the proper selection, maintenance and use of any product remains with the customer. SAFETY FIRST.

Copyright, trademark and other forms of proprietary rights protect the contents of this publication.

© 2013 Canalta Controls Ltd. All rights reserved. Unauthorized reproduction in whole or in part is prohibited.