



FEATURES

- Repeatability Concentricity
- Compressive Outer Ridges
- Dovetail Internal Design
- Dual Sealing Ridge Protection

TYPE K SEAL ASSEMBLY

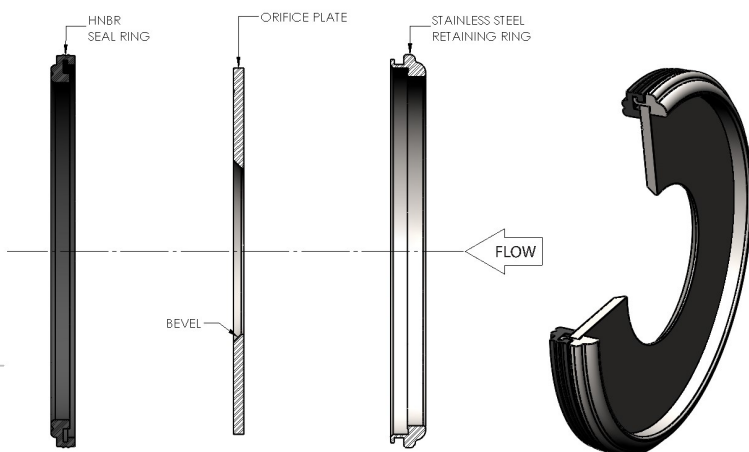
Our HNBR seal, which is superior to Viton or Nitrile material, come standard with any supplied Canalta Orifice fittings sizes 2" - 8". The Type K assembly is comprised of an engineered designed HNBR elastomer seal and stainless steel retainer ring, which is joined by a dovetail design. The single downstream seal function offers superior capability while reducing seal damage during insertion. This design cuts in half the seals compressible material, resulting in less seal swell common in most applications.

The durability of the stainless steel retainer ring leads to replacement costs of approximately 1/3 of other plate seals. Exact and repeatable concentricity is maintained with the metal to metal contact throughout the entire 360° circum-



GAP SIZES

This assembly is used with a .562" seal gap for fittings sized 2" through 6", and with a .688 seal gap for 8" fittings, meeting the 1992 and 2000 editions of AGA-3. Plate seal bypass tested down to 1" water column.



ENGINEERED DESIGN

